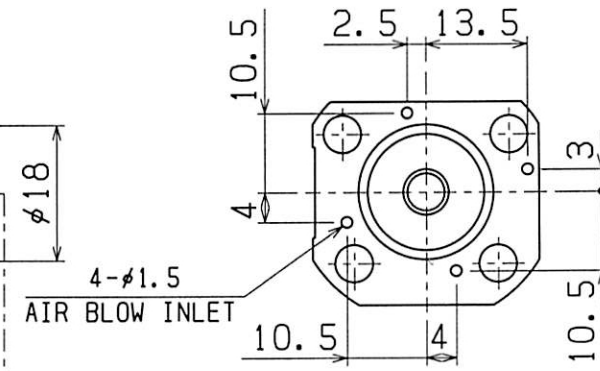
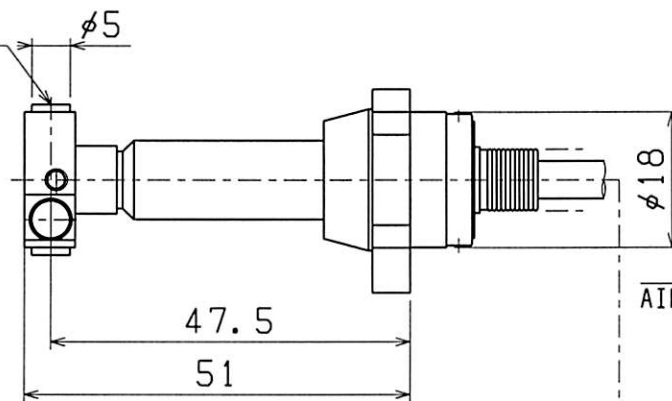
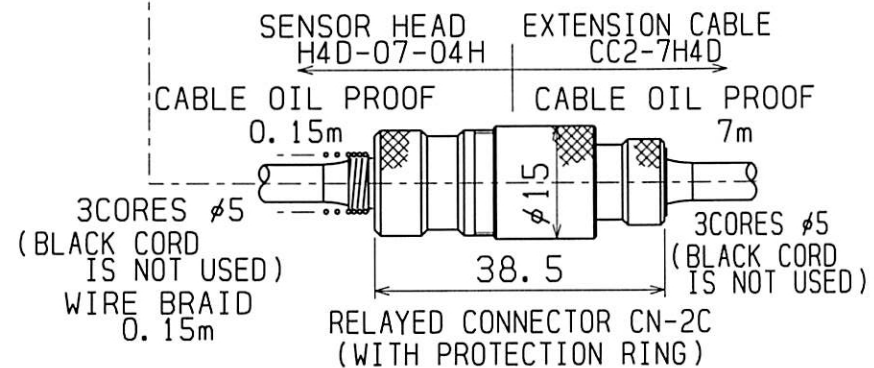


CONTACT



4-φ1.5
AIR BLOW INLET



SET NUMBER: H4D-07-04S
 COMPOSITION [SENSOR HEAD H4D-07-04H
 EXTENSION CABLE CC2-7H4D]

	NAME	TOOL SETTING PROBE
A4	DRAWING NUMBER	H4D-07-04S
1 : 1	 TOOLSSENSOR.COM	