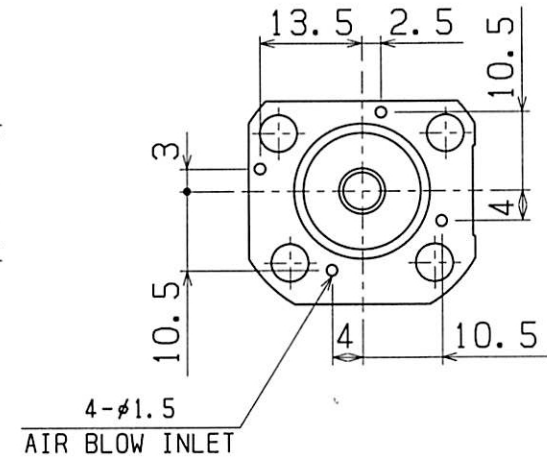
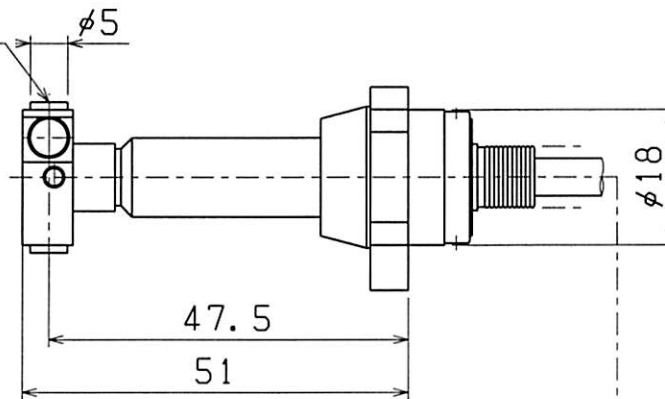
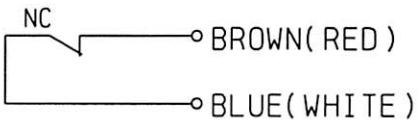
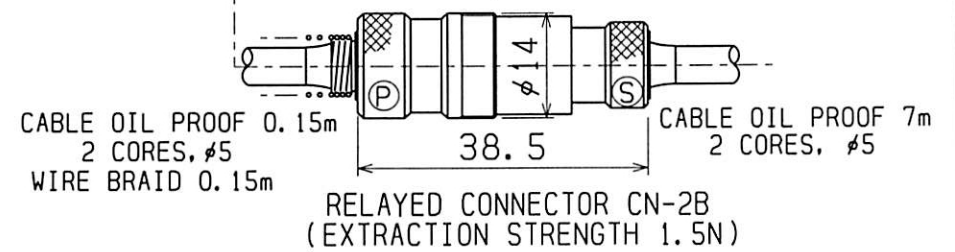


CONTACT



SENSOR HEAD | EXTENSION CABLE
H4D-08-01H | CB2-7



SET NUMBER: H4D-08-01S
COMPOSITION [SENSOR HEAD H4D-08-01H
EXTENSION CABLE CB2-7

	NAME	TOOL SETTING PROBE
A4	DRAWING NUMBER	H4D-08-01S
1 : 1		