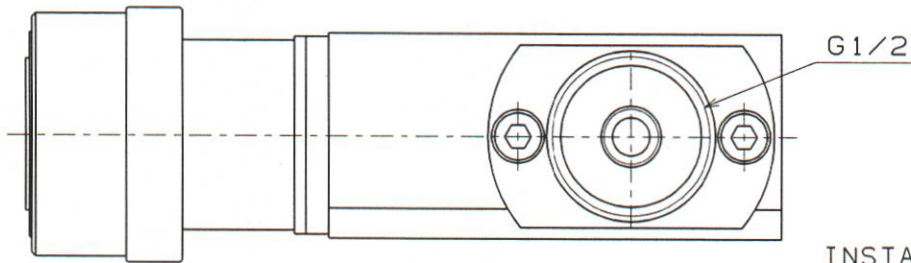
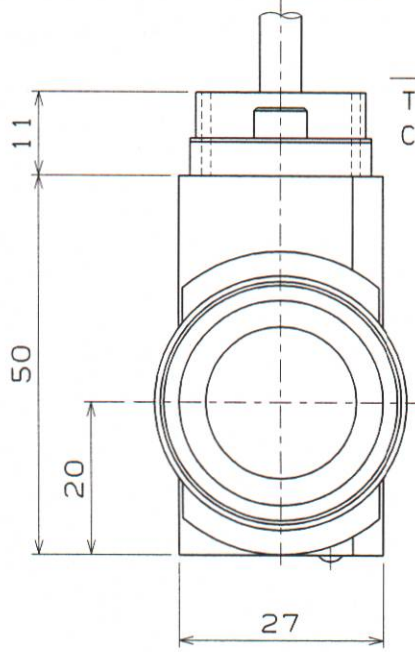


- ① SKIP SIGNAL  
 OPERATING MODE : NO (NORMALLY OPEN)  
 REPEATABILITY : 0.001mm  
 (OPERATING SPEED : 50~200mm/min)
- ② OVER TRAVEL SIGNAL  
 MICRO SWITCH  
 OPERATING MODE: NC (NORMALLY CLOSE)  
 RATING : DC24V 100mA  
 (NON-INDUCTIVE LOAD)  
 DEGREE OF PROTECTION: IEC IP67



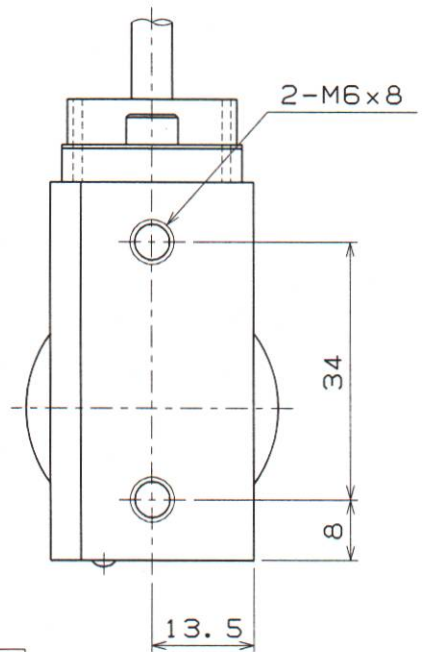
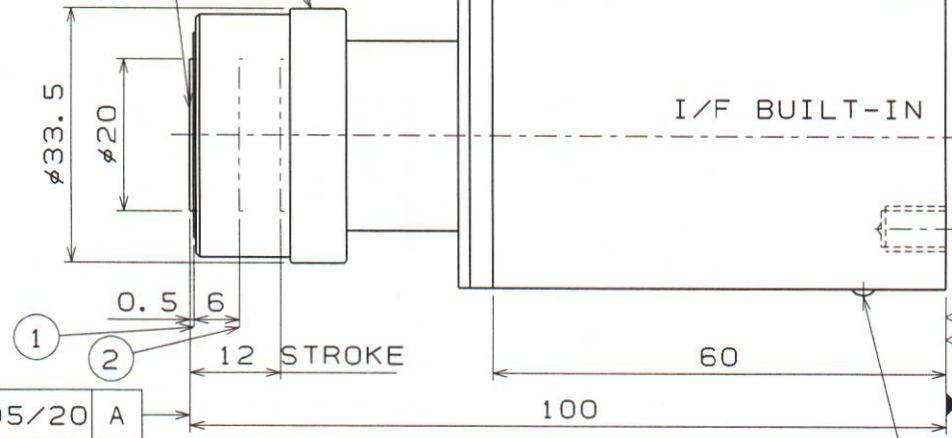
INSTALLATION: VERTICAL

OIL RESISTANT CABLE 7m  
 6 CORES  $\phi 5.5$   
 MINIMUM BENDING R7



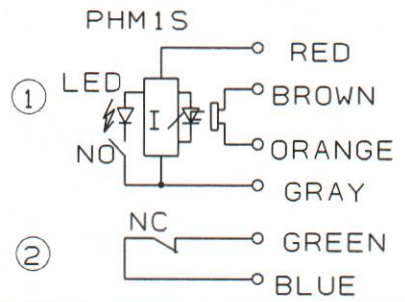
CONTACT  
 TUNGSTEN CARBIDE  
 CONTACT FORCE 3.8N

U2COVER  
 DUST-RESISTANT TYPE



0.005/20 A

LED LAMP  
 NORMALLY UNLIT  
 PUSH LIT



DC24V  
 NO (IN-PHASE OUTPUT)  
 PHOTO MOS  
 AC/DC  
 0V  
 OVER TRAVEL SIGNAL

POWER SUPPLY VOLTAGE: DC24V  
 CONSUMPTION CURRENT : 10mA  
 OUTPUT RATING : DC60V 100mA (NON-INDUCTIVE LOAD)  
 500mW (Max)

CHK	DRA	A4	NAME	TOOL SETTER
	15.11.12		DRAWING NUMBER	T2036-06-01
<b>Kanno</b>	ENOMOTO	1:1		METROL